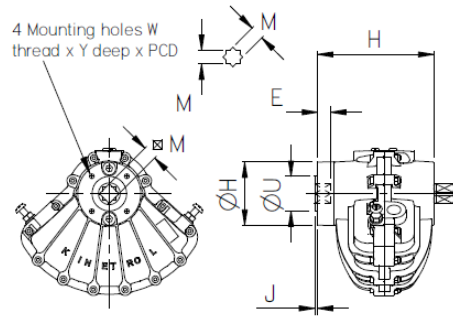


DIN/ISO Options



DIN/ISO Options

Actuator Model	A mm	B mm	C mm	H mm	ØF mm	DIN/ISO flange no.	M mm	V mm	U mm	PCD mm	W -	Y(min) mm	J mm	E mm	P Port	G ₂ mm	S ₂ mm
023	91.0	76.0	24.1	66.0	29.0	F03	9	46	25	36	M5	8	2	10	G ¹ / ₈	8.0	10.0
033	113.0	91.4	28.0	74.0	33.6	F03	9	46	25	36	M5	8	2	10	G ¹ / ₈	9.0	12.0
053	137.0	113.0	33.6	81.0	45.0	F04	11	54	30	42	M5	8	2	12	G ¹ / ₈	9.5	13.0
073	178.0	146.0	43.4	117.0	64.0	F05	14	64	35	50	M6	10	3	16	G ¹ / ₄	16.0	20.0
093	227.0	187.0	54.7	146.0	84.0	F07	17	90	55	70	M8	13	3	19	G ¹ / ₄	16.0	20.0
103	230.0	188.5	58.0	175.0	-	F10	22	-	70	102	M10	16	3	24	G ¹ / ₄	16.0	20.0
123	294.0	239.0	68.0	180.5	100.0	F10	22	125	70	102	M10	16	3	24	G ³ / ₈	16.0	35.5
143	380.0	308.0	84.0	226.5	127.0	F12	27	150	85	125	M12	20	3	29	G ¹ / ₂	16.0	35.5
163	525.0	427.0	125.0	380.0	175.0	F16	46	203	130	165	M20	32	4	48	G ¹ / ₂	41.0	55.0

