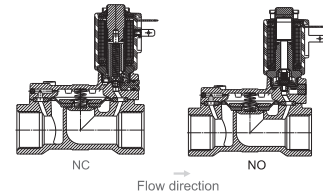


GEM-SOL

Type GEM-SS
Pilot Operated
1/4", 3/8", 1/2", 3/4", 1"
2/2 Way NC, NO



Application
Neutral and mildly aggressive
liquids, gases and vapor



Technical Specifications

Function:	2/2 way NC&NO
Ports size:	3/4", 1" BSP & NPT
Temperature range:	Fluid: -10°C to 80°C Ambient: -15°C to 50°C
Manual Override:	NC-St/st screw NO-without manual override
Materials in contact with fluid :	Main valve: St/st 303 Solenoid Operator: Stainless steel 300 & 400 series Seals: Diaphragm: reinforced elastomer NBR, Viton or EPDM Other: same elastomer as diaphragm
Media:	Air, gas, water, fuel, oil etc
Coil voltage:	All Baccara coils voltages ± 10% AC 8W DC 10W Protection class IP65 with connector

Max. Pressure (Bar) 2W NC, NO Table

Port Connection	Orifice (mm)	Pressure	Kv (L/Min)
1/4"	8	0.5-20	12
3/8"	8		16
3/8", 1/2"	12	0.5-20	35
1/2"	16		60
3/4"	16	0.3-15	80
3/4"	20		130
1"	25	0.5-15	200

Notes :

- | | |
|--|---|
| <p>1- A minimum differential pressure of 0.3 bar is required for operation.</p> <p>2- To order valves manufactured to your specific requirements, please contact our technical sales department.</p> | <p>3- Available options:
a) Low power coils
b) Explosion-proof coils
c) A slow closing system to prevent a water hammer effect.</p> |
|--|---|

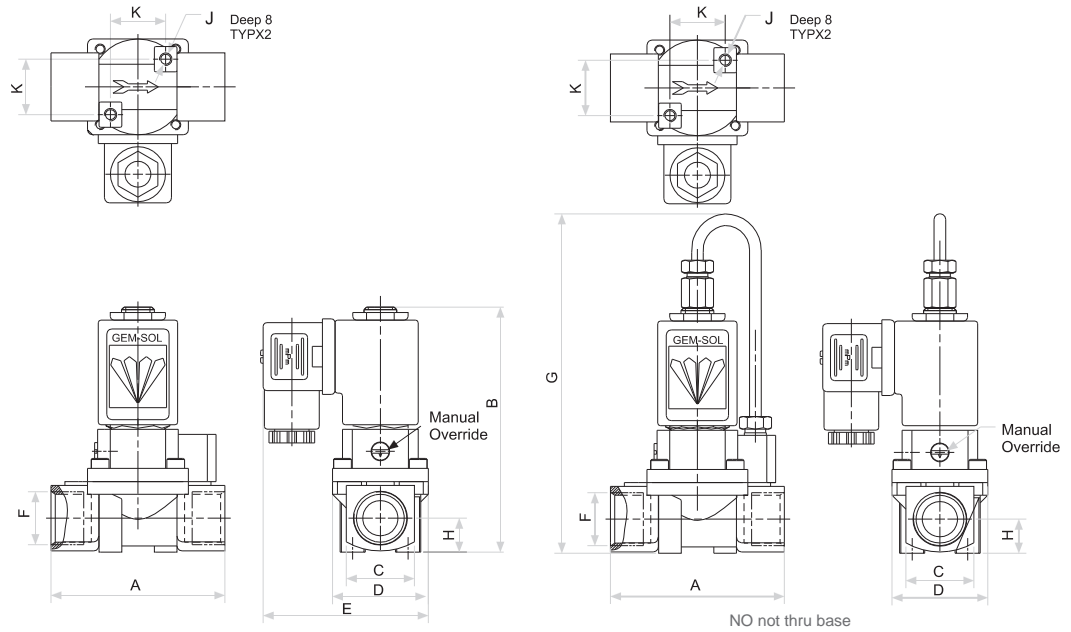
How to Order

Example : GEM- SS-3501N2-311
Is a GEM-SOL Pilot operated Brass, 3/4"BSP,
2W NC, NBR seals, slot manual override,
24V AC 8W 50Hz with connector.

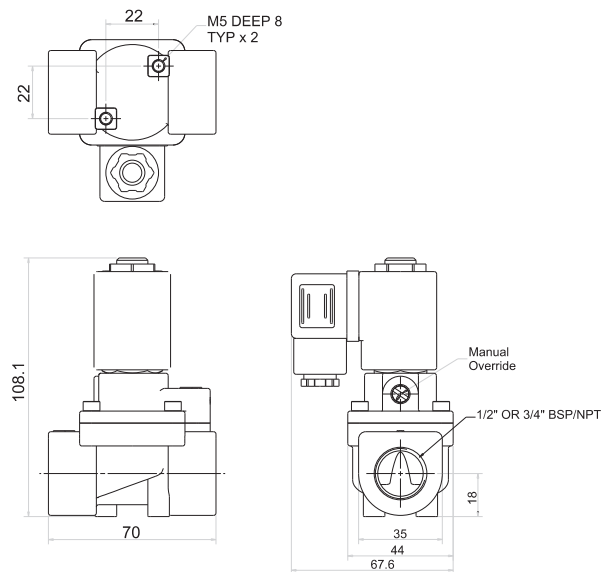
GEM- SS	Body	Port	Function	Seals		Manual Override		Voltage		Power		Connector				
				NBR	N	None	0	W/out coil	0	No coil	0	without	0			
	St/st	3	1/4" BSP	20	2W NC	1	NBR	N	None	0	W/out coil	0	without	0		
			1/4" NPT	21	2W NO*	2a	VITON	V	Slot	2	6	1	AC8W 50Hz	1	with	1
			3/8" BSP	30			EPDM	E	Knob	3	12	2	AC8W 60Hz	2	with LED	2
			3/8" NPT	31							24	3	DC10W	3	with bi color LED	3
			1/2" BSP	40	*NO function without manual override											
			1/2" NPT	41												
			1/2" BSP*	40r												
			1/2" NPT*	41r												
			3/4" BSP*	50r												
			3/4" NPT*	51r												
			3/4 BSP	50												
			3/4NPT	51												
			1 BSP	60												
			1 NPT	61												
			*r 16 mm. orifice													

Dimensions 1/4", 3/8", 1/2"

Size	A	B	C	D	E	F	G	H	J	K	Weight with coil
1/4"-3/8"	58	89	22	32	62	1/4"-3/8"BSP/NPT	125	11	M5x0.8	22	466g
1/2"	70	95	27	38	70	1/2"BSP/NPT	135	13.5	M5x0.8	22	562g



Dimensions 1/2", 3/4", 16 mm orifice



Dimensions 3/4", 1"

Port Size	A	B	C	D	E	H	L	I	J	Weight (gf) *less coil
3/4" BSP/NPT	90	106	32	55	32	17	15	25	103	760
1" BSP/NPT	100	112.5	38.5	65	34	21	16	29.5	109.50	1050

