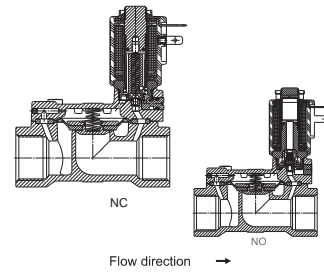


# GEM-SOL

Type GEM-SB  
Pilot Operated  
1/4", 3/8", 1/2", 3/4", 1"  
2/2 Way NC, NO



**Application**  
Air and non aggressive  
liquids/gases



## Technical Specifications

**Function:** 2/2 way NC&NO  
**Ports size:** 1/4", 3/8", 1/2", 3/4", 1" BSP & NPT  
**Temperature range:** Fluid: -10 °C to 80 °C  
 Ambient: -15 °C to 50 °C  
**Manual Override:** NC-Brass screw  
 NO-without manual override  
**Materials in contact with fluid :**  
**Main valve:** Brass - hot stamping  
**Solenoid Operator:** Stainless steel 300 & 400 series  
**Seals: Diaphragm:** reinforced elastomer NBR, Viton or EPDM  
**Other:** same elastomer as diaphragm  
**Media:** Air, gas, water, fuel, oil etc  
**Coil voltage:** All Baccara coils voltages ±10%  
 AC 8W DC 10W  
 Protection class IP65 with connector

**Max. Pressure (Bar) 2W NC, NO Table**

Port Connection	Orifice (mm)	Pressure	Kv (L/Min)
1/4"	8	0.5-20	12
3/8"	8		16
3/8", 1/2"	12		35
1/2"	16		60
3/4"	16		80
3/4"	20		0.3-15
1"	25	0.5-15	200

### Notes :

- 1- A minimum differential pressure of 0.3 bar is required for operation.
- 2- To order valves manufactured to your specific requirements, please contact our technical sales department.
- 3- Available options:  
 a) Low power coils  
 b) Explosion-proof coils  
 c) A slow closing system to prevent a water hammer effect.

## How to Order

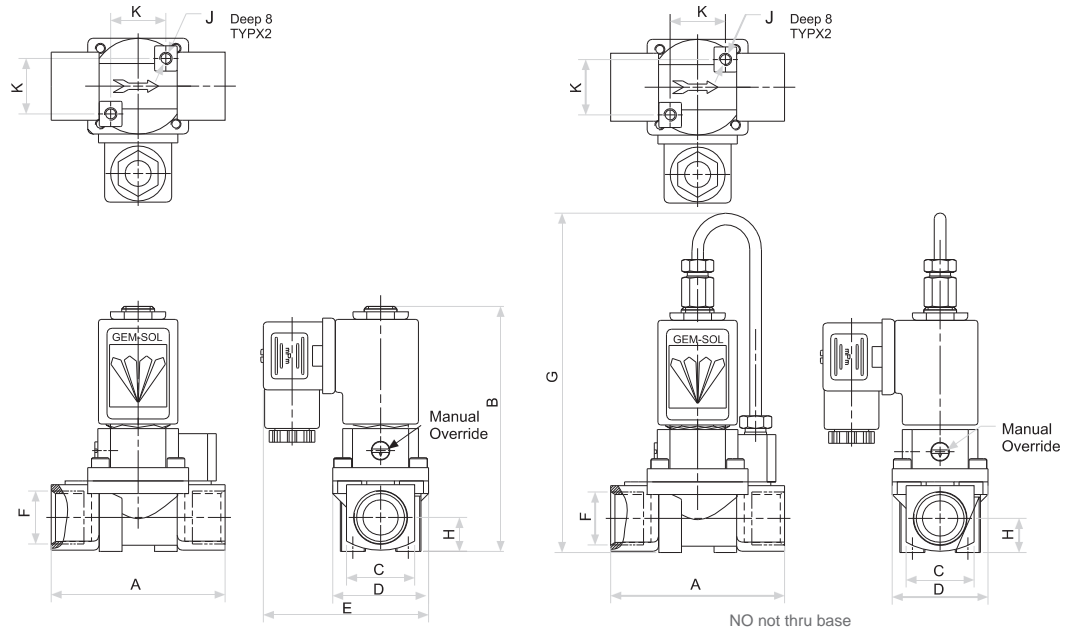
### Example : GEM-SB-2501N2-311

Is a GEM-SOL Pilot operated Brass, 3/4"BSP, 2W NC, NBR seals, slot manual override, 24V AC 8W 50Hz with connector.

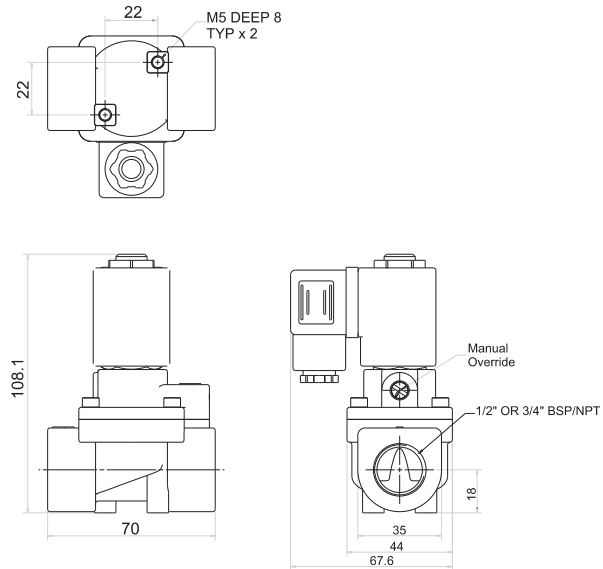
GEM- SB	Body	Port	Function	Seals	Manual Override	Voltage	Power	Connector													
Brass	2	1/4" BSP	20	2W NC	1	NBR	N	None	0	W/out coil	0	No coil	0	without	0						
		1/4" NPT	21													2W NO*	2a	VITON	V	Slot	2
		3/8" BSP	30	3/8" NPT	31	EPDM	E	Knob	3							12	2	AC8W 60Hz	2	with LED	2
		3/8" NPT	31																		
		1/2" BSP	40	1/2" NPT	41	110	5	flying leads	4												
		1/2" NPT	41													1/2" BSP	40r	120	6	coil	5
		1/2" BSP	40r	1/2" NPT	41r	230	7	with 1/2"Hub	5												
		1/2" NPT	41r													3/4" BSP	50r	240	8		
		3/4" BSP	50r	3/4" NPT	51r	other	9														
		3/4" NPT	51r					3/4 BSP	50							3/4NPT	51				
		3/4 BSP	50	1 BSP	60																
		3/4NPT	51			1 NPT	61														
		1 BSP	60																		
		1 NPT	61																		

### Dimensions 1/4", 3/8", 1/2"

Size	A	B	C	D	E	F	G	H	J	K	Weight with coil
1/4"-3/8"	58	89	22	32	62	1/4"-3/8"BSP/NPT	125	11	M5x0.8	22	466g
1/2"	70	95	27	38	70	1/2"BSP/NPT	135	13.5	M5x0.8	22	562g



### Dimensions 1/2", 3/4", 16 mm orifice



### Dimensions 3/4", 1"

Port Size	A	B	C	D	E	H	L	I	J	Weight (gf) *less coil
3/4" BSP/NPT	90	106	32	55	32	17	15	25	103	760
1" BSP/NPT	100	112.5	38.5	65	34	21	16	29.5	109.50	1050

