

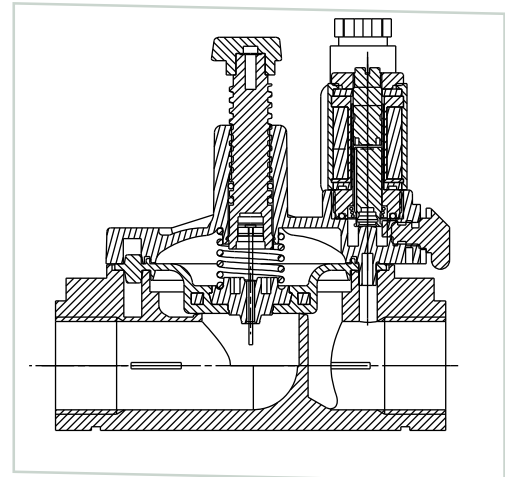
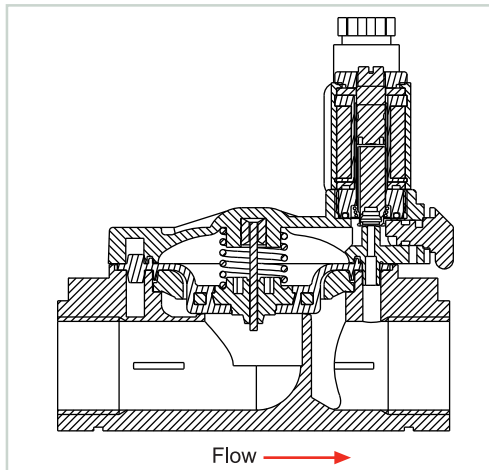
GEVA 80 Inline Pilot Operated 3/4", 1", 1-1/2", 2" 2/2 Way NC, NO

General Description

Geva 80 pilot operated valves, 3/4", 1", 1-1/2" and 2" provide high hydraulic performances in fluid control. Both the efficient design and the advanced technology plastics they are made of, make the valves strong with very low maintenance.

Notes

- Manual override in all the valves with internal draining.
- Progressive opening and shut off that prevents water hammer.
- Very low head loss with high flows.
- Wide range of possibilities such as electric valves, pressure regulating etc.
- To order valves manufactured to your specific requirements, contact our technical sales department.



How to Order

Example : G80-S-501P5-331

Is a GEVA 80 3/4" BSPT pilot operated valve, 2WNC, PVC seals, with flow control, 24V DC 6.5W with connector.

Note: When ordering without coil, please define what current and pressure rating is needed (DC, AC).

Please provide the following information so that we can determine the most suitable coil:

Voltage range

Circuit type

Current limitation

Capacitor size (μF)

Switching time (msec)

G80-S	Port	Function	Seals	Flow control	Voltage	Power	Connector
	3/4"BSPT 50	2WNC 1	PVC P	with ⁽¹⁾ 5	6 1	AC7.5W50Hz 1	without 0
	3/4"NPT 51	2WNO 2		without ⁽²⁾ 6	12 2	AC6W 60Hz 2	with 1
	1"BSPT 60				24 3	DC 6.5W 3	with bi color LED 2
	1"NPT 61				110 5	AC4W50Hz 4	with LED & surge protection 3
	1-1/2"BSPT 70				230 7	AC3W60Hz 5	DC3W 7
	1-1/2"NPT 71					Latch L	other 9
	2"BSPT 80						
	2"NPT 81						

(1) 3/4", 1", 1-1/2", 2" valves

(2) 3/4", 1" valves

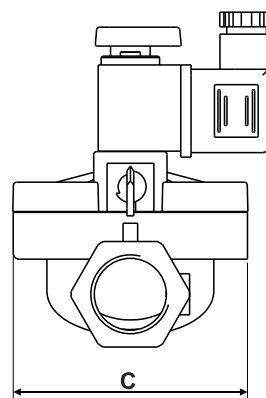
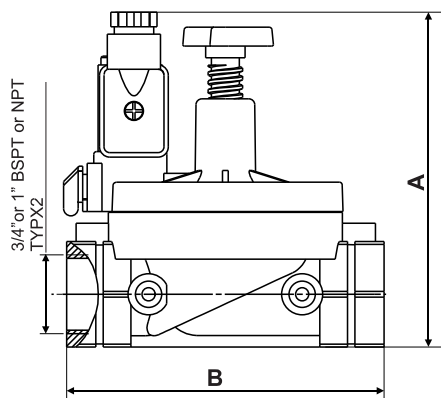
Technical Specifications

Function: 3/4", 1", 1-1/2", 2"
Connection: Female BSPT or NPT thread
Pressure range: 0.3 - 10Kg./cm²
Max. Fluid Temp: 50°C
Solenoid: Geva 80
 2WNC or 2WNO
 solenoids
 all voltages
Materials: **Body & Cover:**
 Reinforced Nylon
Spring:
 AISI 302
Diaphragm:
 PVC
Seals:
 NBR, EPDM
Screws:
 AISI 304
Solenoid:
 Brass and St.st

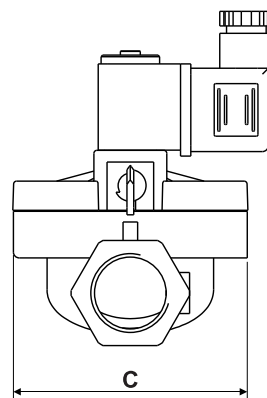
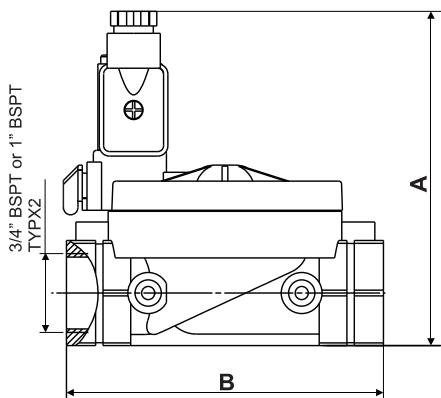
Flow and Orifice table

Size	Orifice (mm)	Kv (L/Min)
3/4"	27	140
1"	27	200
1-1/2"	55	520
2"	55	600

Dimensions



with flow control



without flow control

Size	A	B	C
3/4"	108	110	81
1"	114	110	81
1-1/2"	180	160	126
2	190	170	126