

KINETROL

INSTALLATION INSTRUCTIONS

TYPE UNIVERSAL LIMIT SWITCH BOX

SUITABLE FOR DIRECT MOUNT TO KINETROL

ACTUATORS SIZE RANGE: 03 TO 14

& DISCRETE MOUNT OPTION

SWITCH TYPE: 004

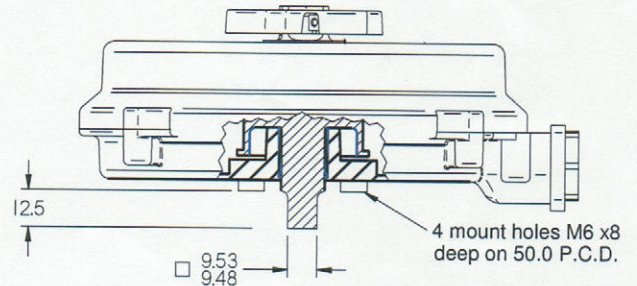
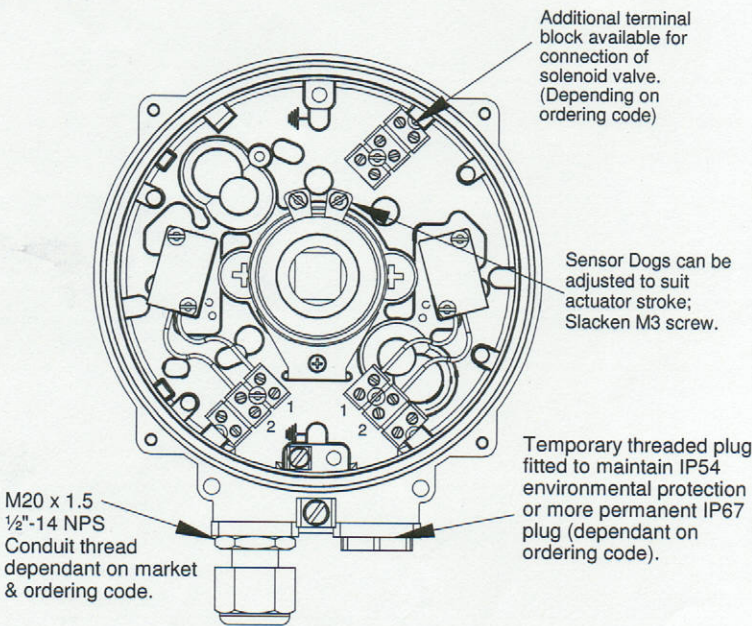
1. Remove temporary threaded plugs.
2. Customer to supply and fit cable glands to maintain IP54 Environmental Protection. Second conduit entry can be plugged using a suitable IP66 plug or ordered from Kinetrol with plug already fitted.
3. Connect cable terminals as required (wiring diagram shown below).
4. Materials of construction:
 - Main body & lid - Zinc alloy (Mazak 3) diecast epoxy painted.
 - Gasket - Cork.
 - Terminal strip - Gemin (KRG).
 - Switch cables - PVC coated copper
 - Rubber seals - NBR. (Other mat'ls avliable on request)
 - Shaft - Zinc plated mild steel.
 - Switch body & plunger - Glass filled nylon 6.6.
 - Switch contacts - Fine silver
5. Operating conditions:
 - Minimum operating time: 20ms.
 - Maximum angle of travel: 110°
 - Vibrating conditions: 4G @ 100Hz
 - Ambient temperature range: -40°C to +80°C.
 - Ensure operating loads given opposite are not exceeded.

Resistive load ratings for standard microswitches:

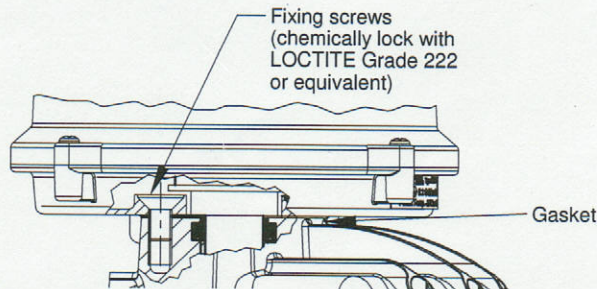
VOLTAGE	RESISTIVE LOAD
125 V ac	15 A
250 V ac	15 A
Up to 12 V dc	15 A
Up to 24 V dc	10 A
Up to 48 V dc	3 A
Up to 250 V dc	0.25 A

Multiplication factors for non-resistive loads:
 Steady state tungsten lamp load: X 0.1
 Steady state inductive load: X 0.2
 Peak inductive load: X 1.0

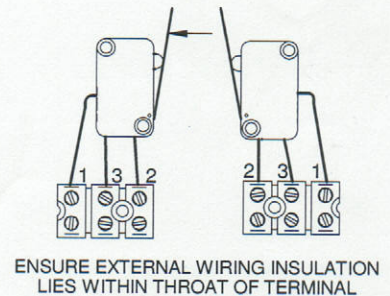
6. If direct mount units supplied separately this box must be kept sealed in its polythene bag during storage. The box must be assembled correctly to the appropriate Kinetrol actuator. The fixing screws and gasket are provided. Only use replacement parts supplied by Kinetrol. Assemble as shown below.
7. Discrete mount units: Discrete mount units are designed to be bracket mounted to the actuator and are fitted with either a male Kinetrol square or a namur VDI/VDE interface shaft. Ensure mounting arrangement does not apply side or end load to the switch box shaft.



DISCRETE MOUNT BOX OPTION SHOWN WITH KINETROL SQ. IT CAN ALSO BE FITTED WITH DISCRETE SHAFT TO VDI/VDE 3845.



Kinetrol Direct Mount Option



WIRING DIAGRAM